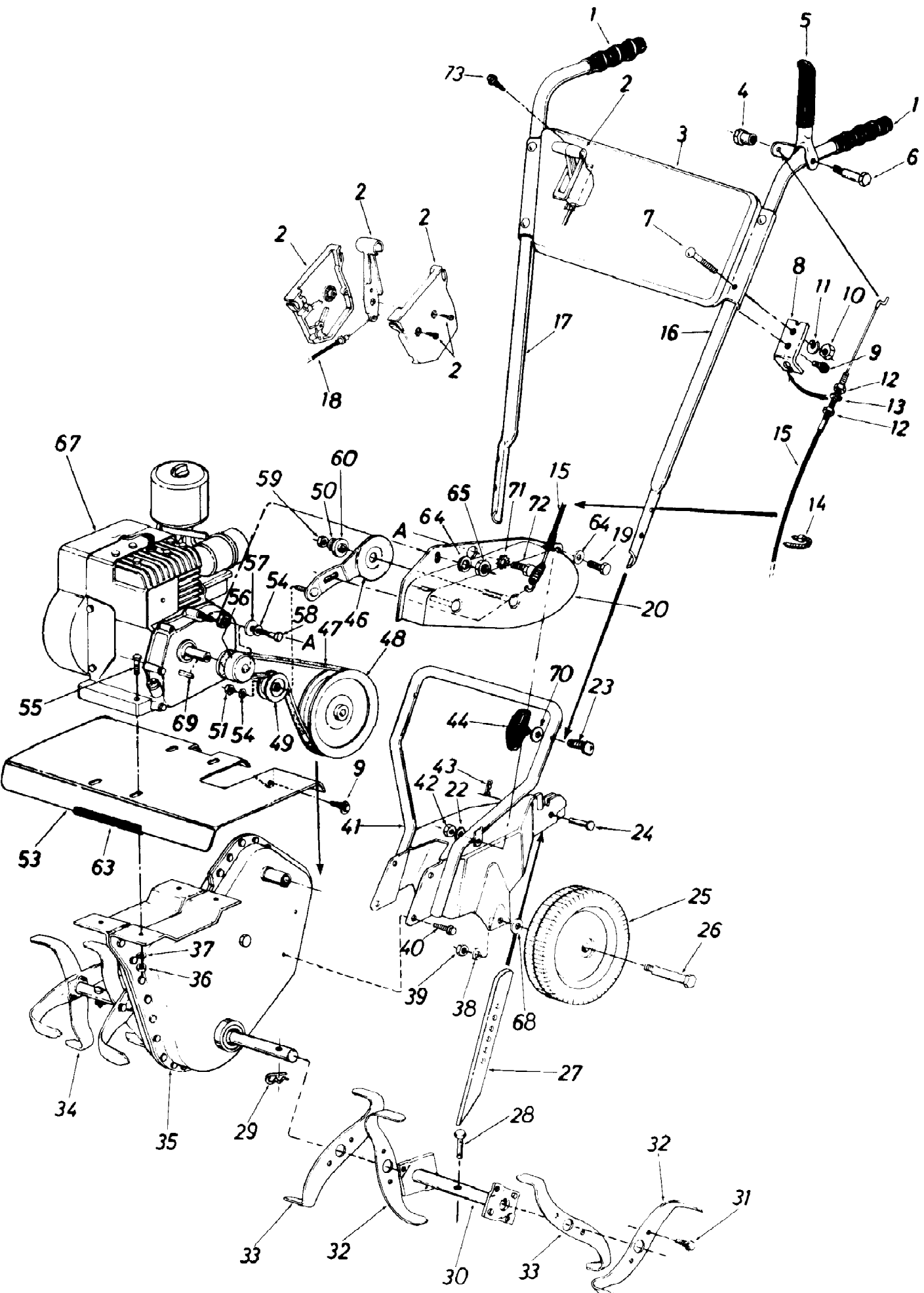


217-031-190 Roto Boss 310 (1987)  
Chain Case Assembly

Page 2 of 5

Ref #	Part Number	Qty	S/P/F	Description
1	04926	1		Chain Case Ass'y.-R.H.
2	04756	1		Input Shaft Ass'y.
3	04757	1	S	Hub and Sprocket Ass'y.
4	750-0351	1		Bearing Inner Race
5	741-0155	1	S	Ball Bearing
6	15863	1	S	Chain Case Ass'y.-L.H.
7	756-0287	1	F	Pulley-Chain Case 5-1/2 x 1/2
8	710-0369	1	/P	Hex Bolt 3/8-24 x 2.50" Lg.
10	721-0157	1	F	Seal
11	710-0195	1	S	Hex Bolt 1/4-28 x .625" Lg.
12	721-0156	1	S	Gasket
13	741-0227	1		Flange Brg. .879 I.D.
14	736-0265	1	/P	FI-Wash. .88 I.D. x 1.50 O.D. x .030
15	04920	1		Tine Shaft Ass'y.
16	750-0354	1	S	Spacer 718" I.D. x 2.0" O.D. x.68" Lg.
17	736-0329	1	S	L-Wash. 1/4" Scr.
18	712-0138	1	S	Hex Nut 1/4-28 Thd.*
19	712-0116	1	S	Hex Ins. L-Nut 3/8-24 Thd.
20	736-0169	1	S	L-Wash. 3/8" I.D.*
21	736-0219	1	S	Bell-Wash. .406 I.D. x 1.130 O.D.
22	713-0215	1		Chain #420-.50" Pitch x 38 Links
23	713-0216	1		Chain #35-.375" Pitch x 50 Links
24	748-0154	1		Bearing .62" I.D. x .813 0 O.D. x 1.31
25	05034	1	S	Bearing Housing
26	726-0164	1		Expansion Plug 13/16" Dia.
27	741-0228	1	S	Bearing
28	731-0486	1	F	Dust Cap
29	710-0599	1	/P	Hex Wash. Hd. Self-Tap Scr. 1/4-20 x .50" Lg.
30	750-0471	1	S	Spacer .630 I.D. x .77 O.D. x .38" Lg.
31	715-0114	1	S/F	Spring Pin Spiral 1/4" Dia. x 1 1/2 " Lg.
32	750-0550	1	F	Spacer .647 x 1.25"
33	710-0653	1	/P	Hex Wash. Hd. Self-Tap Scr. 1/4-20 x .38" Lg.



Ref #	Part Number	Qty	S/P/F	Description
1	720-0204	1	/P	Grip
2	831-0823	1	S	Throttle Control Box Ass'y.
3	784-0036	1		Handle Panel
4	738-0561	1	S	Shoulder Nut
5	784-0007	1		Clutch Grip Ass'y.
6	738-0572	1	S	Shoulder Bolt 3/8 x 1.160" Lg.
7	710-0262	1	/P	Carriage Bolt 5/16-18 x 1.5" Lg.*
8	15093	1	S	Cable Support Bracket
9	710-0599	1	/P	Hex Wash. Hd. Self-Tap Scr. 1/4-20 x .50" Lg.
10	712-0267	1	S	Hex Nut 5/16-18 Thd.*
11	736-0119	1	S	L-Wash 5/16" I.D.*
12	712-0256	1	/P	Hex Jam Nut 5/16-24 Thd.
13	736-0119	1	S	L-Wash. 5/16" I.D.*
14	725-0157	1	/P	Cable Tie
15	746-0509	1	S	Clutch Control Cable
16	749-0631	1		Upper Handle-L.H.
17	749-0630	1		Upper Handle-R.H.
18	746-0636	1	S	Throttle Control Wire
19	710-0252	1	/P	Hex Bolt 1/4-20 x .75" Lg.*
20	784-0018	1		447 Belt Cover Ass'y.
22	736-0329	1	S	L-Wash. 1/4" I.D.*
23	710-0405	1	S	Curved Hd. Bolt 5/16-18 x 1.75" Lg.
24	711-0653	1	/P	Clevis Pin
25	734-0840	1		Wheel Ass'y. Comp. 7.0" x- 1.5
26	738-0126	1	S	Shoulder Bolt
27	04764	1		Depth Bar
28	711-0702	1	/P	Clevis Pin .31" Dia. x 1.50"-Lg.
29	714-0145	1	S	Hairpin Cotter
30	04918	1	S	Tine Adapter Ass'y.
31	710-0599	1	/P	Hex Wash. Hd. Self-Tap Scr. 1/4-20 x .50" Lg.
32	04923	1	S	Tine Blade-L.H.
33	04922	1	S	Tine Blade-R.H.
34	04921	1	S	Tine Ass'y. Comp.
35	04924	1		Chain Case Ass'y. Comp.
36	712-0267	1	S	Hex Nut 5/16-18 Thd.*
37	736-0119	1	S	L-Wash. 5/16" I.D.*
38	736-0217	1	S	L-Wash. 3/8" I.D. (Heavy Duty)
39	712-0375	1	/P	Hex Cent. L-Nut 3/8-16 Thd.
40	710-0600	1	/P	Hex Wash. Hd. Self-Tap Scr. 5/16-18 x .50" Lg.
41	04762	1		Support Brkt. Ass'y.
42	712-0287	1	S	Hex Nut 1/4-20 Thd.*
43	714-0104	1	S	Internal Cotter Pin
44	09966	1	S	Hand Knob
46	784-0016	1		Idler Arm Ass'y.
47	754-0216	1	S	Belt 3/8" x 29" Lg.
48	756-0287	1		Chain Case Pulley 5-1/2 x 1/2"
49	756-0199	1	/P	FI-Idler 2"
50	736-0119	1	S	L-Wash. 5/16" I.D.*
51	712-0116	1	S	Hex Nut 3/8-24 Thd.*
53	04765	1		Tine Shield
54	736-0169	1	S	L-Wash. 3/8" I.D.*

217-031-190 Roto Boss 310 (1987)  
Tiller Assembly

Page 5 of 5

Ref #	Part Number	Qty	S/P/F	Description
55	710-0442	1	S	Hex Bolt 5/16-18 x 1.50" Lg.
56	756-0286	1		Engine Pulley 3/8 V x .75 I.D. x 2" O.D.
57	736-0258	1	/P	FI-Wash. .385" I.D. x 1.00" O.D.
58	710-0152	1	S	Hex Bolt 3/8-24 x 1.00" Lg.*
59	712-0267	1	S	Hex Nut 5/16-18 Thd.*
60	736-0289	1	S	Shld. Spacer .50" Dia. x .133
63	731-0511	1	/P	Trim Strip-4"
64	736-0142	1	S	FI-Wash. .281" I.D. x .500" O.D.
65	712-0107	1	S	Hex Cent. L-Nut 1/4-20 Thd.
67		1		Engine
68	736-0219	1	S	Bell-Wash.
69	714-0122	1	S	Square Key 3/16 x 3/4" Lg.
70	736-0242	1	/P	Bell-Wash.
71	736-0190	1	S	Ext. L-Wash. 1/2" I.D.
72	710-0121	1		Hex Bolt 1/2-20 x .75" Lg.
73	710-0779	1	S	Self-Tap Screw #10 x .5" Lg.